

## OPERATION MANUAL

### MAINTENANCE

1. DISCONNECT POWER SUPPLY: Be careful before every cleaning or maintenance operation, to ensure that the electric supply socket is removed.
2. Keep the cutting machine free from residue by means of a vacuum cleaner. Be sure to include the blade guides. Keep the band saw in good condition: If it is not to be used for a long time, put the tool away in its original packing in a damp-free place. In this case it is advisable to loosen the blade so as not to keep it under tension unnecessarily.

### SPECIFICATIONS

ITEM	SPECIFICATIONS	ITEM	SPECIFICATION
Voltage	240 Volts	Base Material	Aluminium
Motor	1650W	Bow Material	Aluminium
Cutting Capacity 90 °	Round Bar 170mm Rectangle 170 x 170mm	Blade Speed	30 - 80 m/min
Cutting Capacity 45 °	Round Bar 125mm Rectangle 125 x 125mm	Dimension	1100 mm x 550 mm x 600 mm
Cutting Capacity 60 °	Round Bar 75mm Rectangle 75 x 70mm	Packing	1040 mm x 490 mm x 565 mm
Blade Size	2035mm x 0.9 x 19	Noise	62 db Approximately

## SPARE PARTS SECTION

The following section covers the spare parts diagrams and lists that were current at the time this manual was originally printed. Due to continuous improvements of the machine, changes may be made at any time without notification.

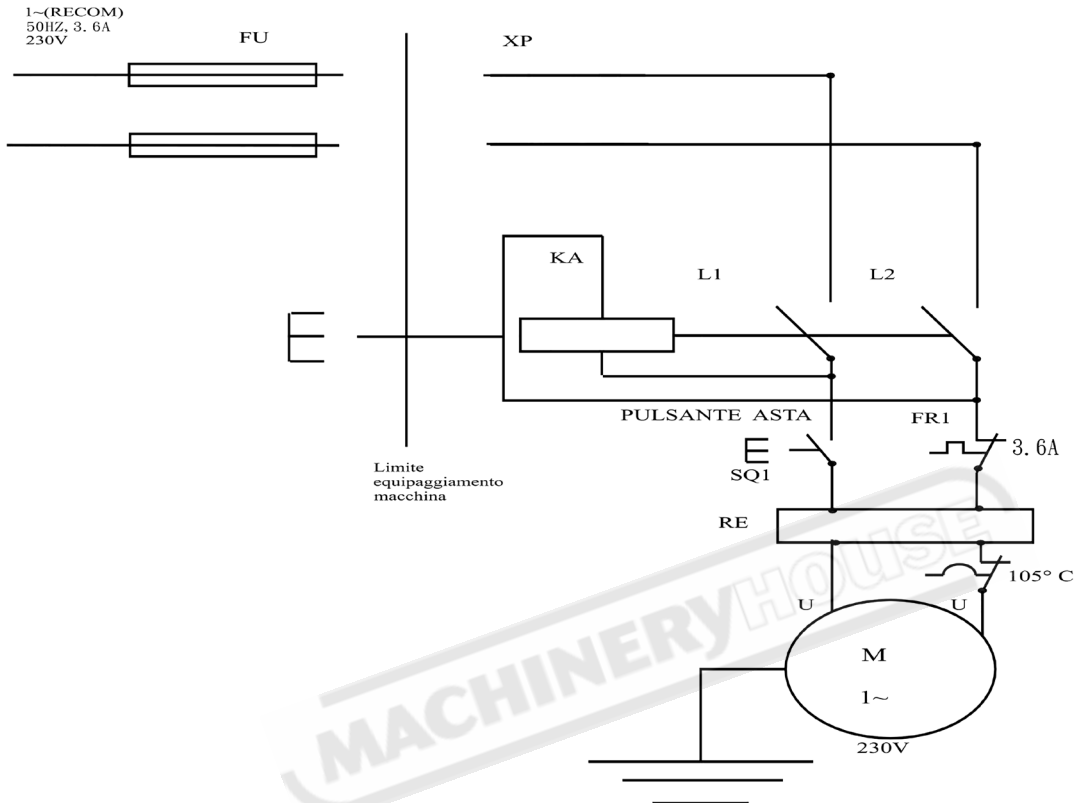
### HOW TO ORDER SPARE PARTS

1. Have your machines **model number, serial number & date of manufacture** on hand, these can be found on the specification plate mounted on the machine
2. A scanned copy of your parts list/diagram with required spare part/s identified
3. Go to [www.machineryhouse.com.au/contactus](http://www.machineryhouse.com.au/contactus) and fill out the enquiry form attaching a copy of scanned parts list.



OPERATION MANUAL

WIRING DIAGRAM



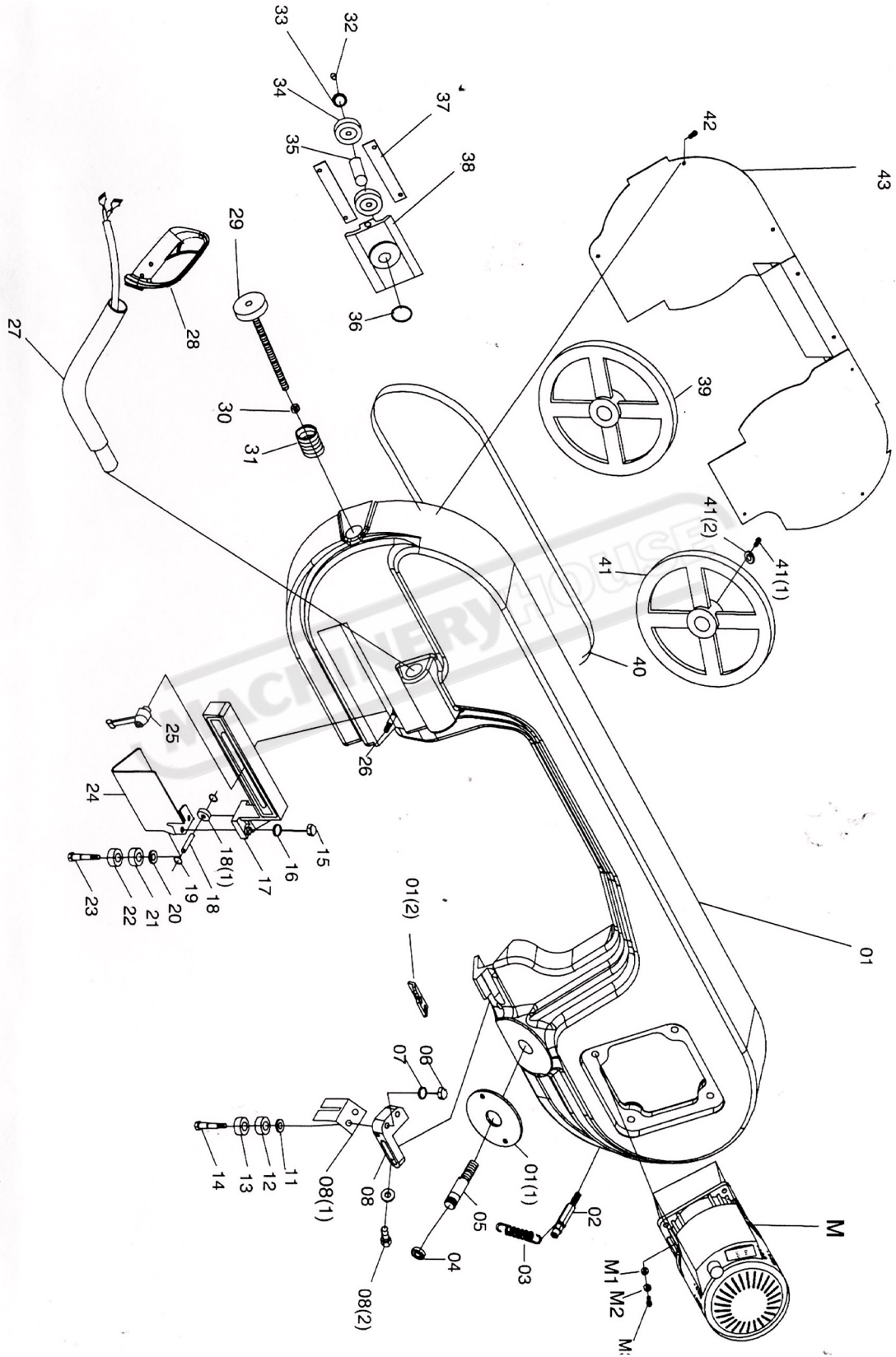
KA	Protecteur CE
SB1	Interrupteur d'arret (OFF)
SB2	Interrupteur general (ON)
XP	Cable d'alimentation
SQ1	Interrupteur marche-arret
M	Moteur 1650W
FR1	Protecteur termique
RE	Inverter

Replacement Motor Brushes  
 Order Code: 3BB0099 (Set of 2)

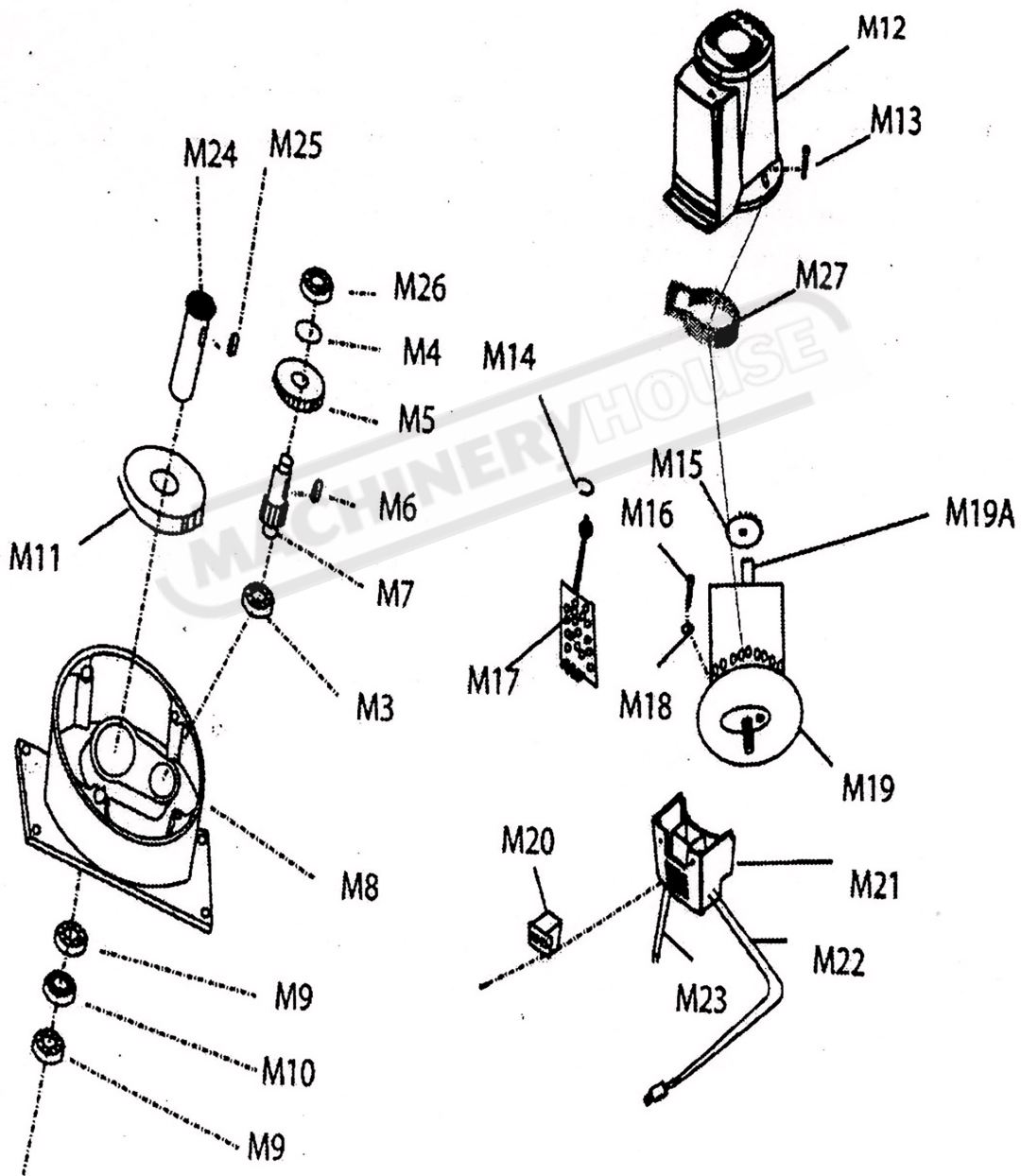


# OPERATION MANUAL

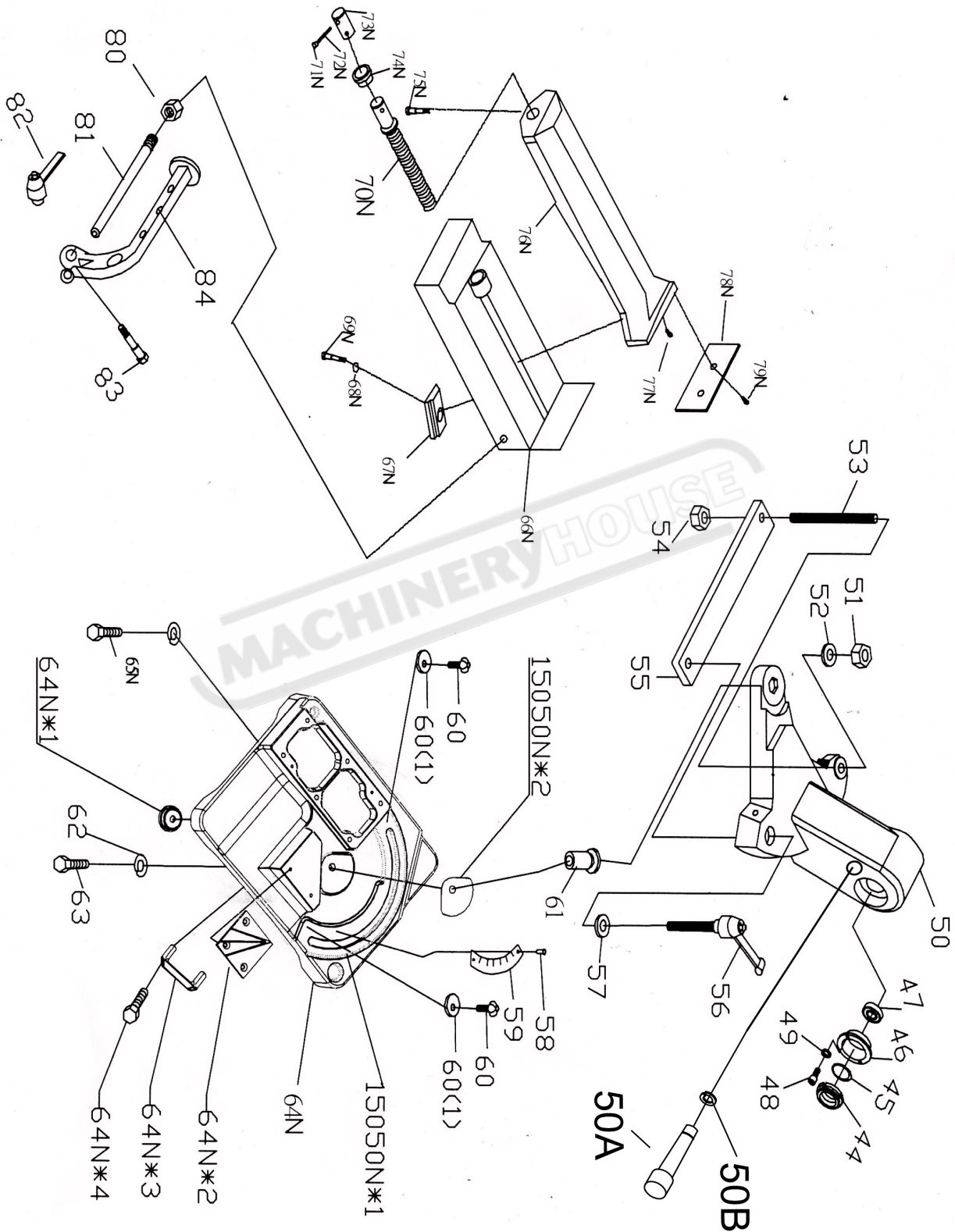
## SPARE PARTS



**SPARE PARTS Cont.**



**SPARE PARTS Cont.**







## OPERATION MANUAL

### SPARE PARTS LIST

No.	Qty.	Description	No.	Qty.	Description	No.	Qty.	Description
1	1	Body frame	42	6	Screw	81	1	Rod stock stop
1A	3	Bow saw plate	43	1	Body cover	82	1	Bolt
1A*1	1	Angle plate	44	1	Nut	83	1	Screw
2	1	Spring axis	45	1	Cover	84	1	Stop Bracket
3	1	Spring	46	1	Bushing	M	1	Motor
4	1	32004 bearing	47	1	32004 bearing	M1	1	Screw
5	1	Axis	48	1	Screw	M2	1	Spring Washer
5A	1	Shaft fixed plate	50	1	Miter	M3	1	Bearing 607
6	2	Nut	15050*1	1	Shaft	M4	1	Stalls circle
7	2	Washer	50N*1	1	Miter plate	M5	1	Gear
8	1	Fixed blade guide plate	50N*2	1	Miter plate	M6	1	Key
8(1)	1	Chip Fence	51	1	Nut	M7	1	Gear shaft
9	2	Screw	53	1	Screw	M8	1	Gear box
11	2	Bushing for arm	54	1	Nut	M9	2	Bearing
12	2	Bearing	55	1	Plate	M10	1	Oil seal
13	2	Bearing	56*1	1	Bolt	M11	1	Gear
14	2	Bias axis	57	1	Washer	M12	1	Up cover
15	2	Nut	58	1	Screw	M13	1	Screw 4X45mm
16	2	Washer	59	1	Scale	M14	1	Nut
17	1	Arm	60	1	Screw	M15	1	Fan
18	2	Pin	60(1)	1	Washer	M16	1	Screw
18(1)	2	Bearing	61N	1	Bushing	M17	1	Electrical board
19	2	Washer	62	1	Washer	M18	1	Oil seal
20	2	Bushing for arm	63	1	Screw	M19	1	Gear plate
21	2	Bearing	64N	1	Base	M19A	1	Motor shaft
22	2	Bearing	64*1	4	Rubber	M19B	1	Motor
23	2	Bias axis	64*2	1	Base plate	M20	1	Switch
24	1	L. blade guard	64*3	2	Handle	M21	1	Down cover
25	1	Bolt	64N*4	8	Screw	M22	1	Plug
26	1	Screw	65N	1	Screw	M23	1	Handel wire
27	1	Handle Shelf	66N	1	Fence Base	M24	1	Main shaft
28	1	Handle	67N	1	Locking seat	M25	1	Key
29	1	Handle Wheel	68N	1	Washer	M26	1	Bearing
30	8	Washer	69N	1	Screw	M27	1	Middle plastic cover
31	2	Screw	70N	1	Acme Screw		1	Polystyrene
32	1	Screw	71N	1	Knob		1	Carton
33	1	Washer	72N	1	Handle Rod			
34	2	Bearing	73N	1	Shaft Bushing			
35	1	Blade sheet shaft	74N	1	Bushing			
36	1	Washer	75N	1	Screw			
37	2	Block	76N	1	Vise			
38	1	Block blade tension	77N	1	Screw			
39	1	Return flywheel	78N	1	Vise plate			
40	1	Saw blade	79N	1	Screw			
41	1	Motor flywheel	80	1	Nut			